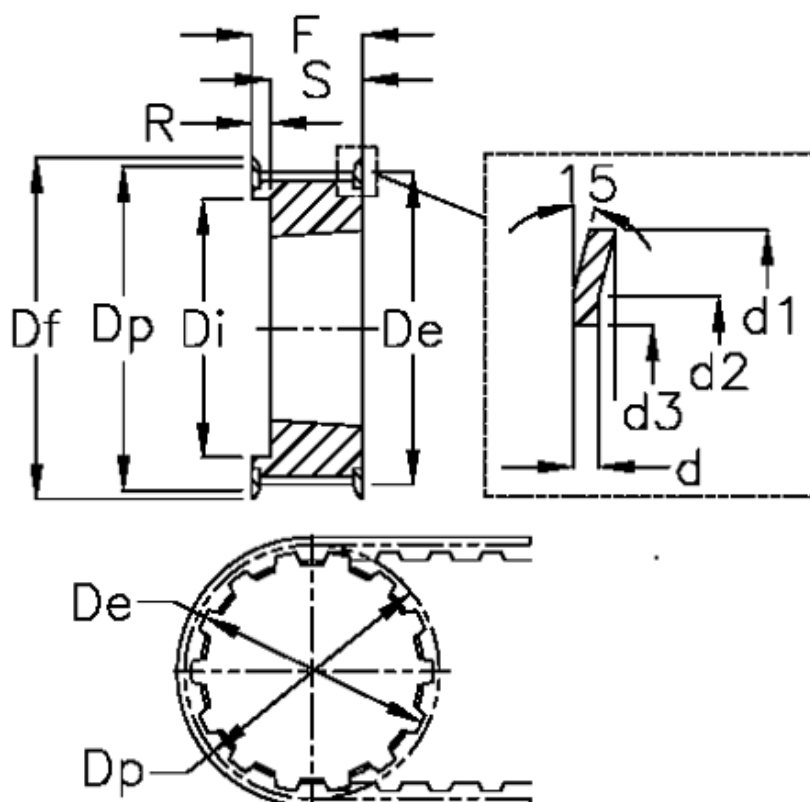


Article number: 604132026030

Description: Taper bored timing belt pulley
HTD 26 8M 30 TL 1108

Measures



d = 1.5	F = 38	Weight = 0.45
d1 = 70	Flange type = F26	Width = 30
d2 = 66.5	For bushing = 1108	
d3 = 53	Max bore = 25	
De = 64.84	r = 16	
Df = 70	S = 22	
Di = 44	Tooth number = 26	
Dp = 66.21	Type = 8M	